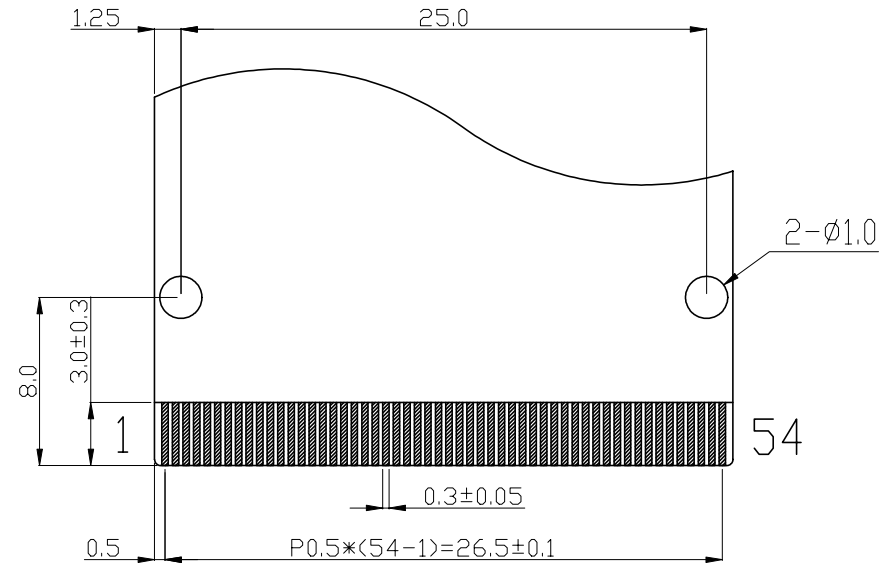
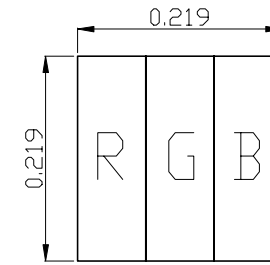
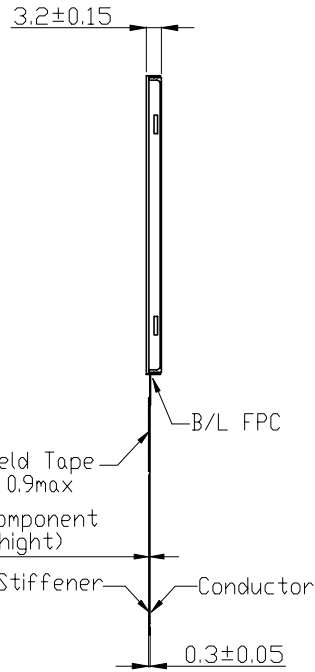
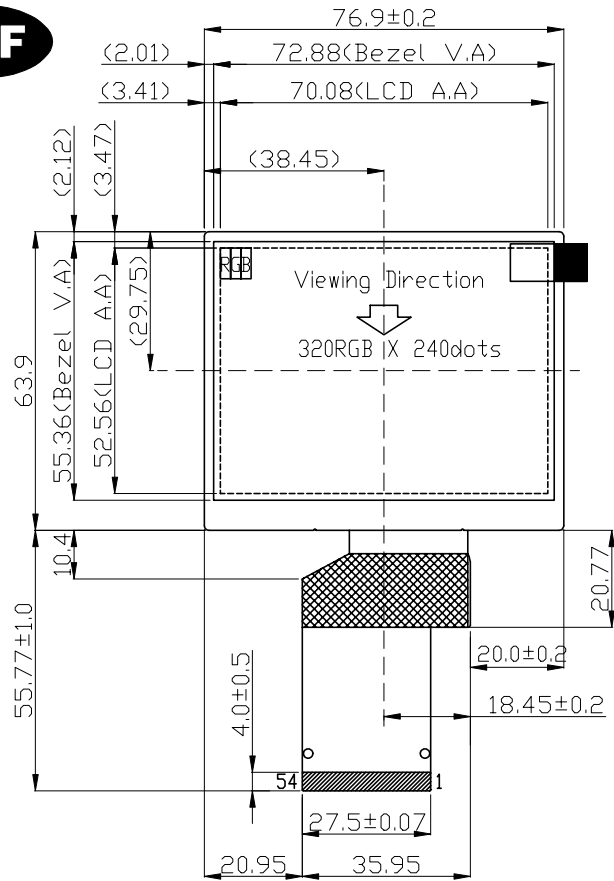


**HSF**

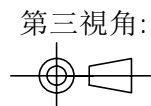


NOTE:  
 1.UNIT:mm  
 2.THE TOLERANCE UNLESS CLASSIFIED:0.3mm

DISPLAY TYPE:	3.5" TFT	DIPALY DRIVER:	HX8238D	PIXEL SIZE:	0.219*0.219 mm	產品型號:	SVF035001ANN				
POLARIZER MODE:	TRANSMISSIVE	OPERATING TEMP:	-20°C TO +70°C	BACK LIGHT:	LED WHITE(X6),6串1并	部品型號:	LCM外形圖		核准:		
VIEWING DIRECTION:	12 O'CLOCK	STORAGE TEMP:	-30°C TO +80°C			版本:	V0	單位:	mm	審核:	
DOT MATRIX:	320(RGB)X240 DOTS	STRUCTURE:	LCD+IC+FPC+BL	MATERIAL NOTE	ROHS REQUEST	日期:	2019.03.14	比例:	1:1	設計:	謝鳳嬌



旭璟光電科技(惠州)有限公司  
 SUN VIEW TECH. CO., LTD



UNMARKED TOLERANCE: ±0.20 mm

頁碼: 1 OF 1