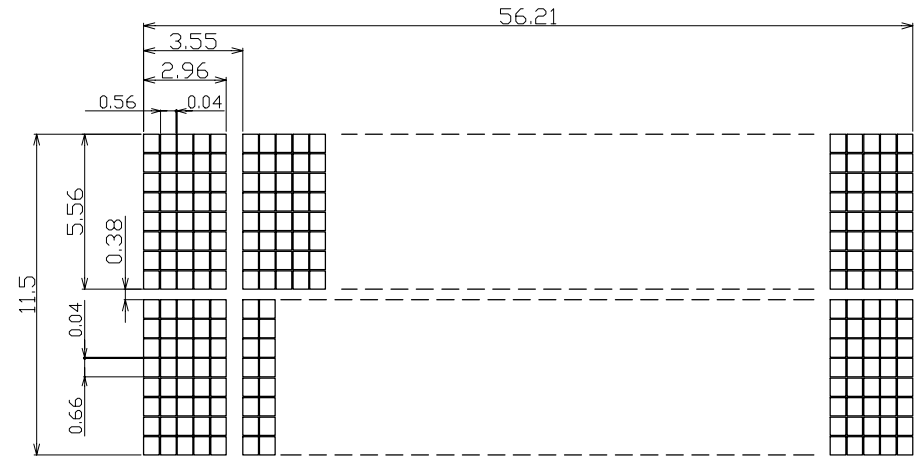
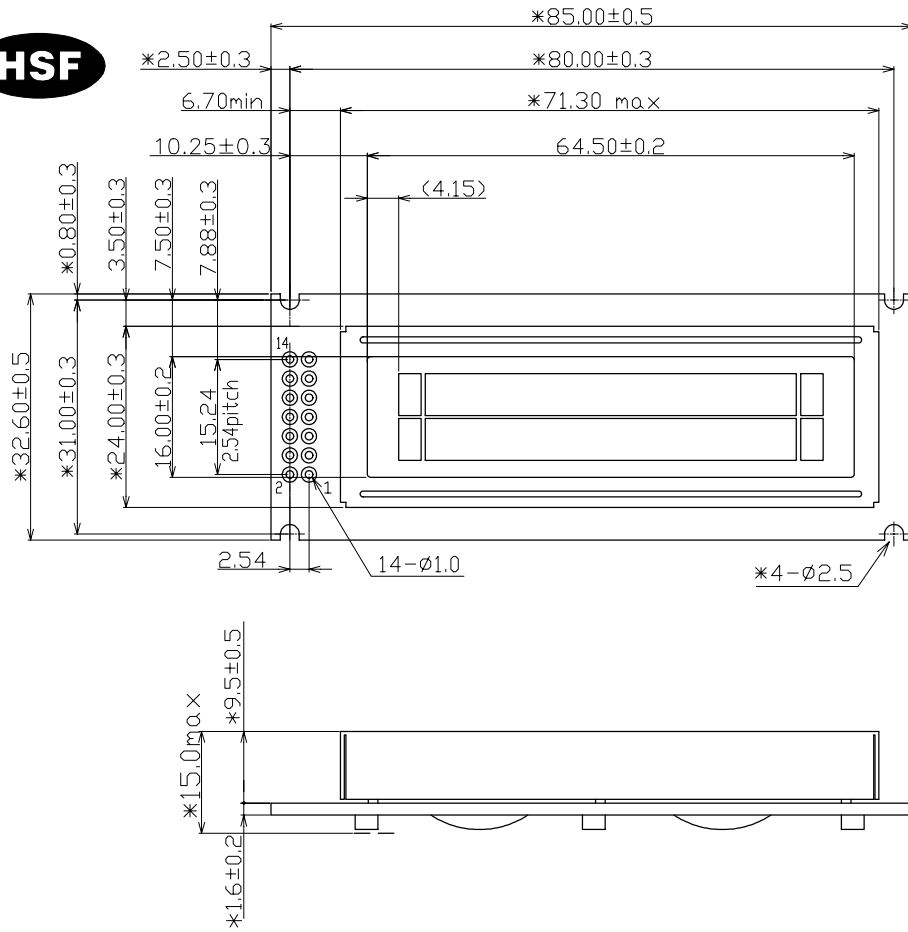


HSF



Interface pin connection

PIN NO.	1	2	3	4	5	6	7
SYMBOL	VSS	VDD	V0	RS	R/ \bar{w}	E	DB0
PIN NO.	8	9	10	11	12	13	14
SYMBOL	DB1	DB2	DB3	DB4	DB5	DB6	DB7

NOTE:

1. DISPLAY TYPE:STN(YELLOW GREEN)
2. DRIVING METHOD: 1/16 DUTY, 1/5 BIAS
3. OPERATING VOLTAGE:VDD=5.0V VOP=4.5V
4. OPERATING TEMP: 0° ~ 50°C
5. STORAGE TEMP: -20° ~ 70°C
6. VIEWING DIRECTION: 6:00
7. POLARIZER MODE: TRANFLECTIVE/POSITIVE
8. CONNECTION:COB
9. BACKLIGHT COLOR:YELLOW-GREEN
10. IC:ST7066U-0A
9. DIMENSIONS ARE IN MILLIMETERS AND UNLESS OTHERWISE NOTED ARE ±0.20MM
10. THE TOTAL THICKNESS OF GLASS IS NOT INCLUDING THE PROTECTIVE FILM.

REVISES	SUN-VIEW TECHNOLOGY CO., LTD						
CONTENT	SUN-VIEW TECHNOLOGY CO., LTD						
	CUSTOM					PROJECTION	
	DRAWING BY	沈光娥	2018.01.25	ITEM	MD	UNITS	mm
	CHECKED BY			CODE	MDO40316003	SCALE	
	APPROVED BY			MODEL	SVC016002WYLB	SHEET	1 OF 5