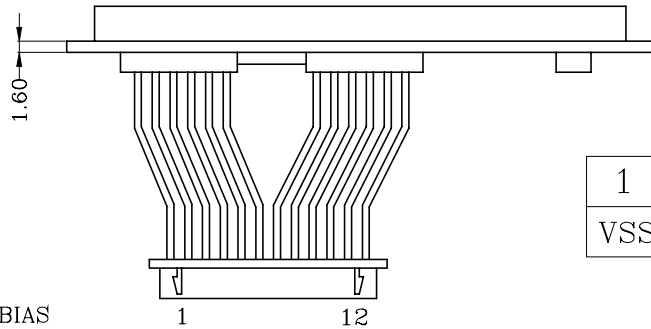
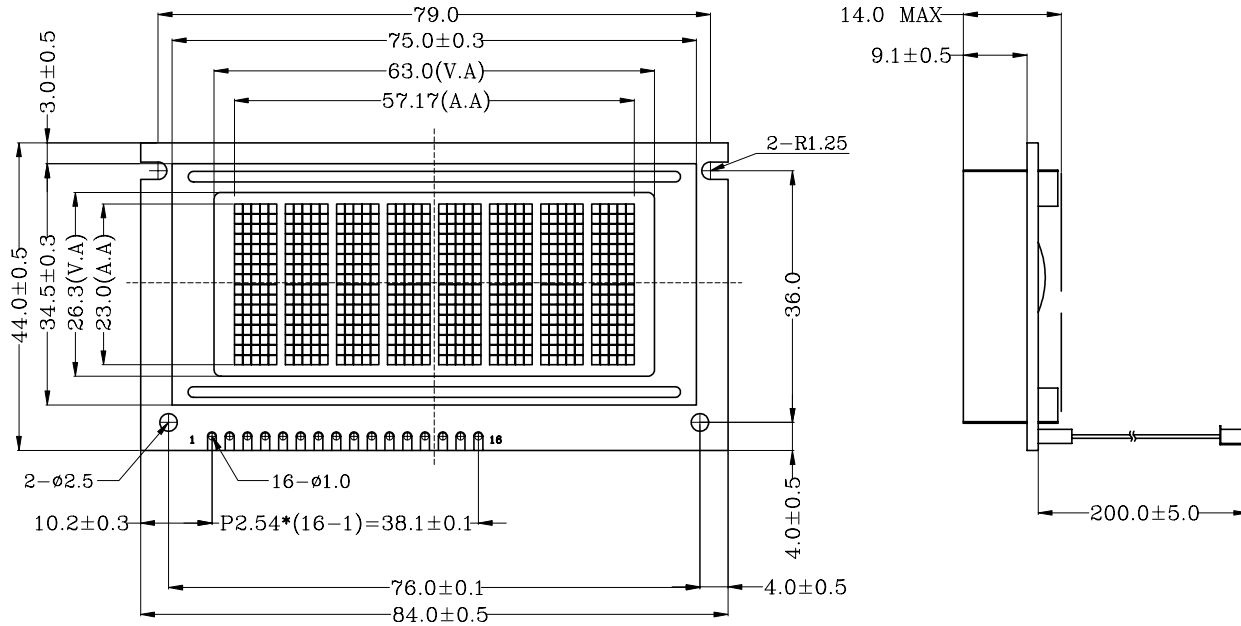


DISPLAY PATTERN



PIN CONNECTION:

1	2	3	4	5	6	7	8	9	10	11	12
VSS	VDD	V0	RS	R/W	E	DB4	DB5	DB6	DB7	A(+)	K(-)

NOTE:

1. DISPLAY TYPE:STN(GRAY)
2. DRIVING METHOD: 1/16 DUTY, 1/5 BIAS
3. OPERATING VOLTAGE: VLED=4.2V ; VDD-V0=4.8V
4. OPERATING TEMP: 0° ~ 50°C
5. STORAGE TEMP: -10° ~ 60°C
6. VIEWING DIRECTION: 12 O'CLOCK
7. POLARIZER MODE: TRANSFLECTIVE/POSITIVE
8. CONNECTION: COB
9. CONTROLLER/DRIVER IC: ST7066U-0A
10. BL COLOR:YELLOW GREEN (λ=570nm)
11. DIMENSIONS ARE IN MILLIMETERS AND UNLESS OTHERWISE NOTED ARE ±0.20MM
12. ROHS COMPLIANT

REVISES		SUN-VIEW TECHNOLOGY CO.,LTD						
DATE	CONTENT							
02	按客樣修改FR的VA尺寸	CUSTOM					PROJECTION	
		DRAWING BY	沈光娥	2016.02.26	ITEM	COB	UNITS	mm
		CHECKED BY			CODE	MD160915002	SCALE	
		APPROVED BY			MODEL	SVC008002GGLB	SHEET	1 OF 4